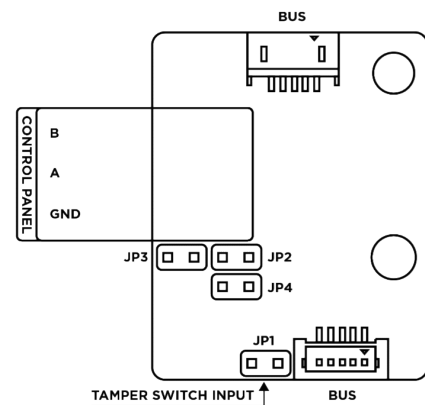
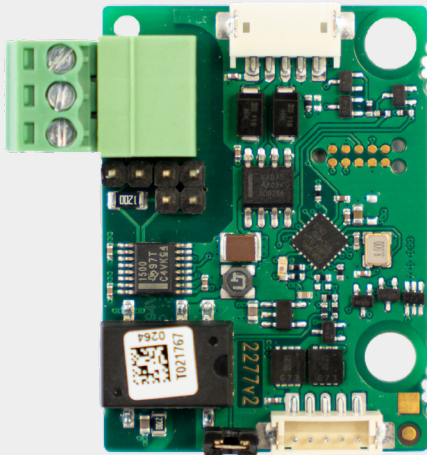


2N® IP VERSO OSDP MODULE

This module connects the 2N IP intercom reader to a third-party access control system. The communication between the 2N reader and the controller is via the OSDP protocol, which provides higher security than the Wiegand protocol and encrypts the transmitted data. The OSDP module is designed primarily for 2N® IP Verso and 2N® IP Style intercoms but can also be used with 2N Access Unit 2.0 smart readers.

For 2N® IP Verso and 2N® LTE Verso intercoms, install the OSDP module under another module (e.g. RFID card reader, Bluetooth reader, keypad). For 2N® IP Style intercoms and 2N Access Unit 2.0 readers, the OSDP module must be placed outside of the device.

ORDER NUMBER:
91550371



TECHNICAL SPECIFICATION

Connectors:

2x VBUS connectors (for connection with the intercom and other modules)

Isolated OSDP bus (A, B, GND)

Tamper switch input

Operating temperature: -40°C to 60°C

Storage temperature: -40°C to 70°C

Operating relative humidity: 10% - 95% (non-condensing)