



2N

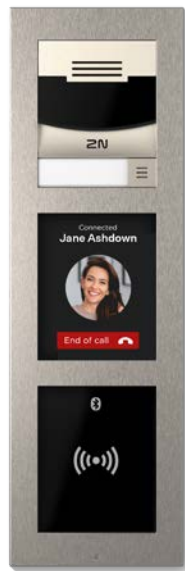
# Residential portfolio

**Future-proof, smart, integrated**

Meet the most demanding project needs and enrich the lives of your residents with 2N's comprehensive property access portfolio

2N.com





**1**  
Main door communication and access

**2N® IP Verso 2.0**  
Precisely match the needs of your project every time. Combine up to 20 different modules. Provide residents with full HD video calling and secure entry with access readers that support multiple access credentials



**2**  
Garages and car park

**2N® IP Force**  
One of the world's strongest intercoms can easily withstand accidental impact from car mirrors. To restrict vehicle access automatically, pair it with an Axis camera for license plate recognition



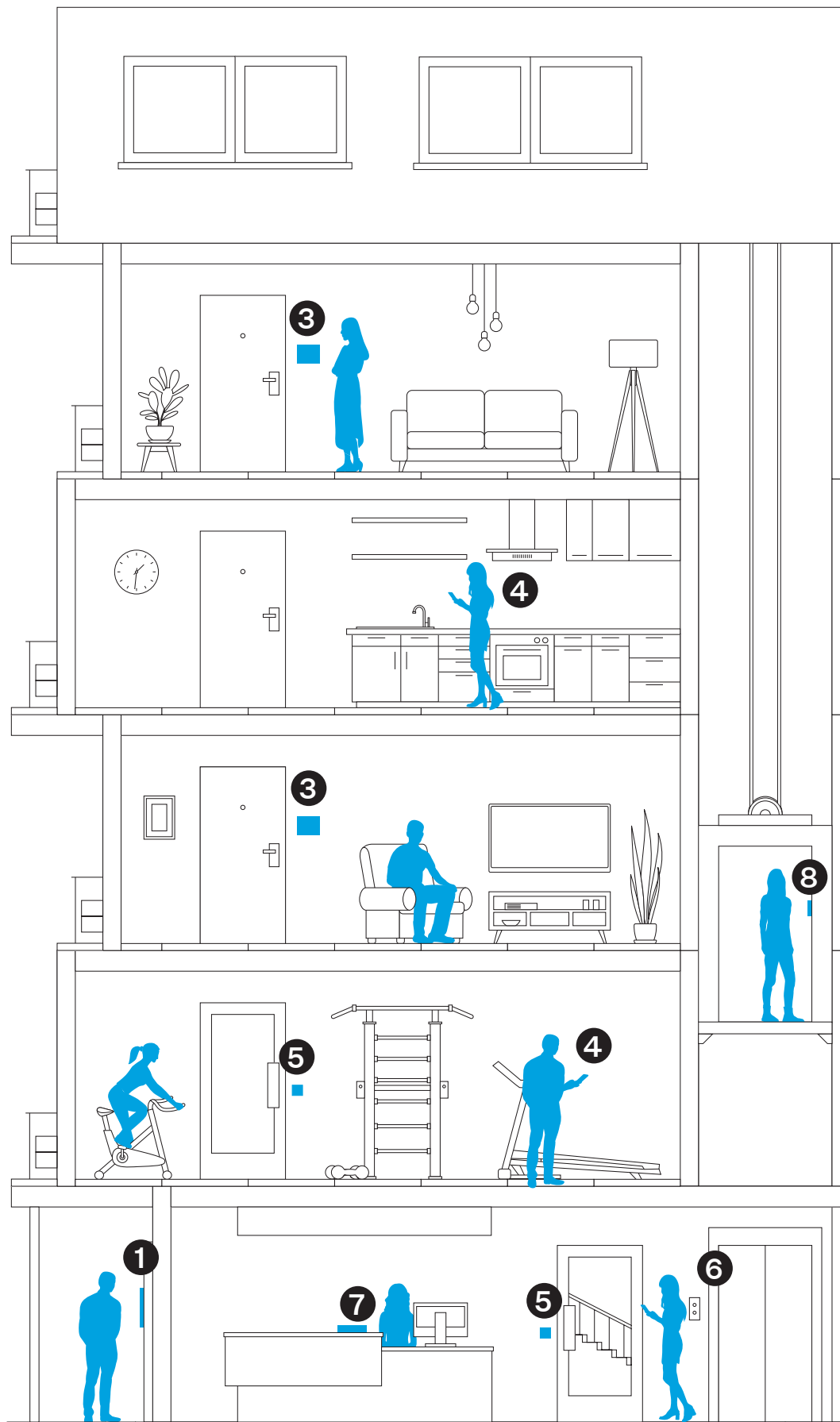
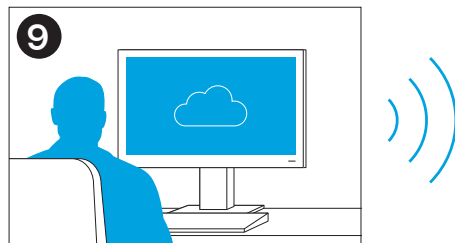
**3**  
Answering calls in homes

**2N® Indoor View**  
Sleek answering unit with 7" touch screen that enhances any interior. Offer a smart living experience with easy integration to home automation and other advanced features



**4**  
Answering calls remotely  
**My2N App**

Allow residents to answer their door from anywhere! The My2N app offers video calling from intercoms to mobile phones – increasing both convenience and home security



**5**  
Secure common areas

**2N Access Unit 2.0**  
Want cohesive design, modern technology, and versatile installation? Secure common areas with this smart access reader with a built-in controller



**6**  
Mobile access

**2N® Mobile Key**  
Combine free mobile credentials with our revolutionary keyless access. The patented WaveKey technology powering 2N® Mobile Key ensures access is secure, fast and reliable



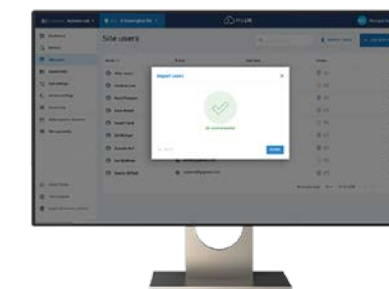
**7**  
Concierge desk

**2N® IP Phone D7A**  
No modern project is complete without an IP phone that offers two-way video communication. Add the personal touch to concierge desks as well as advanced features & heightened security



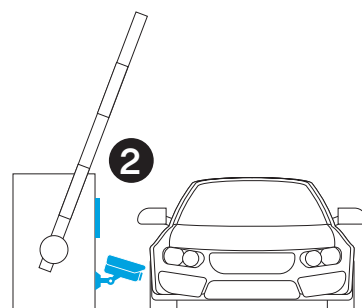
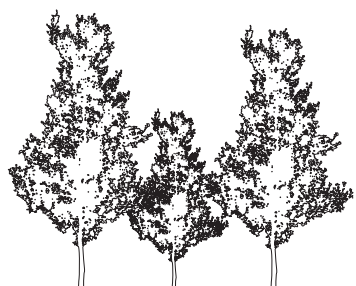
**8**  
Access control for elevators

**2N Access Unit 2.0**  
Don't neglect elevator access! Floor-restricted access is an important part of a complete residential access system that wants to prioritize resident security



**9**  
Remote site management

**My2N Management Platform**  
Handle 4 out of 5 customer requests remotely. Add users, manage access, set up intercom calling, update firmware and troubleshoot: all for free!



# Other compatible products for your residential projects



**2N® IP Style**  
Premium intercom with a 10" display and 5MP camera



**2N® Indoor Compact**  
Answering unit with 4.3" display



**2N® Clip**  
Mid-range IP indoor station



**2N Access Unit M**  
Smart reader in a slimline design

## Retrofit ready

Don't let legacy cabling hold you back!

Retrofit projects can be challenging – but 2N have several simple ways for you to bring IP technology to any project



### Use the existing cables

Connect the IP intercoms and answering units to a converter and then connect the converters to the existing 2 wire cables

### Cloud calling via My2N

No network cabling needed - the integrated SIM card slot in the 2N® LTE Verso means connecting video calls via the cloud couldn't be simpler

# 2N

2N TELEKOMUNIKACE a.s.

Prague, Czech Republic | +420 261 301 500 | sales@2n.com

Member of the AXIS group

**AXIS**  
COMMUNICATIONS